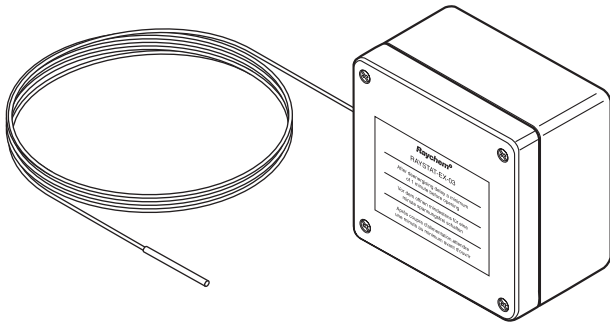


# DigiTrace RAYSTAT-EX-03-A

## ELECTRONIC LINE-SENSING THERMOSTAT



### PRODUCT OVERVIEW

The RAYSTAT-EX-03-A electronic line-sensing thermostat provides accurate control for all heating cable types.

The enclosure, electronics, and sensor are approved for use in Division 2 and Zone 1 hazardous locations. The thermostat can be supplied at voltages of 100–277 Vac 50/60 Hz, and has a double-pole switch rated at 16 A. The switch can be configured to provide a dry contact. Temperature setting is accurate via digital thumb wheel switches inside the enclosure.

The thermostat is supplied with a factory-installed 6 ft (2 m) stainless-steel RTD.

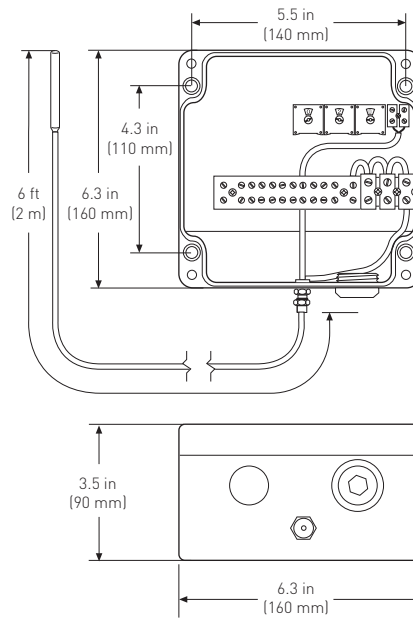
The enclosure is manufactured from high impact-resistant glass-filled polyester offering NEMA 4X, IP66 protection. Two 3/4-inch (19 mm) entries allow the incoming power and heating cable to be connected to the unit.

For pipe temperatures up to 482°F (250°C), the units can be mounted directly on the pipe using the JB-SB-25 support bracket.

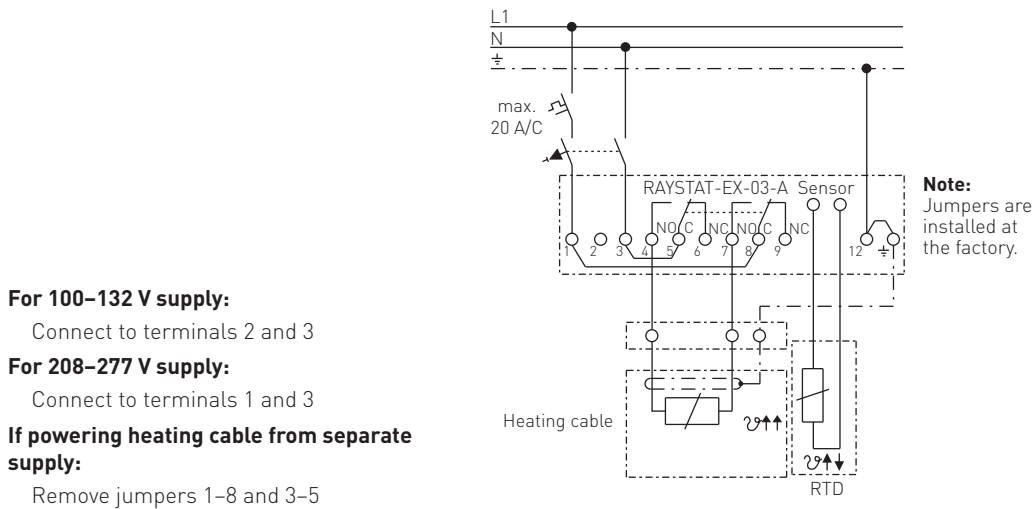
### SPECIFICATIONS

Enclosure	<ul style="list-style-type: none"> <li>• NEMA 4X; IP66</li> <li>• Electrostatic charge-resistant glass-filled engineering polymers, black</li> <li>• Exposed hardware of stainless steel</li> </ul>
Entries	Two 3/4-in (19 mm) conduit through holes (one with hole plugged)
Ambient operating range	–40°F to 105°F [–40°C to 40°C]
Set point range	32°F to 930°F [0°C to 499°C]
Switch	DPDT
Switch capacity	16 A (suitable for heating cables on 20 A circuit breakers)
Supply voltage	AC 100–277 V, 50/60 Hz
Accuracy	±1% of set point, minimum 1°C
Deadband	±1% of set point, minimum 1°C
Sensor type	100 Ω platinum RTD
Sensor material	Stainless steel
Sensor length	6 ft (2 m)
Connection terminals	Power supply: 12 AWG (4 mm <sup>2</sup> ) Heating cable: 12 AWG (4 mm <sup>2</sup> ) Ground: 10 AWG (6 mm <sup>2</sup> )

**DIMENSIONS**



**TYPICAL WIRING DIAGRAM FOR DIRECT SWITCHING**



**APPROVALS**

**Hazardous Locations**



Class I, Zone 1, Ex emia IIC T6  
 Class I, Zone 1, AEx emia IIC T6  
 Class I, Div. 2, Groups B, C, D  
 Class II, Div. 1 and 2, Groups E, F, G  
 Class III

**ORDERING DETAILS**

Part description	RAYSTAT-EX-03-A
Part number	453609
Weight	7.2 lb (3.3 kg)



[WWW.PENTAIRTHERMAL.COM](http://WWW.PENTAIRTHERMAL.COM)

**NORTH AMERICA**

Tel: +1.800.545.6258  
Fax: +1.800.527.5703  
Tel: +1.650.216.1526  
Fax: +1.650.474.7711  
[thermal.info@pentair.com](mailto:thermal.info@pentair.com)

**EUROPE, MIDDLE EAST, AFRICA**

Tel: +32.16.213.511  
Fax: +32.16.213.603  
[thermal.info@pentair.com](mailto:thermal.info@pentair.com)

**ASIA PACIFIC**

Tel: +86.21.2412.1688  
Fax: +86.21.5426.2917  
[cn.thermal.info@pentair.com](mailto:cn.thermal.info@pentair.com)

**LATIN AMERICA**

Tel: +1.713.868.4800  
Fax: +1.713.868.2333  
[thermal.info@pentair.com](mailto:thermal.info@pentair.com)

Pentair, DigiTrace, and RAYSTAT are owned by Pentair or its global affiliates. All other trademarks are the property of their respective owners. Pentair reserves the right to change specifications without prior notice.

© 2001–2013 Pentair.