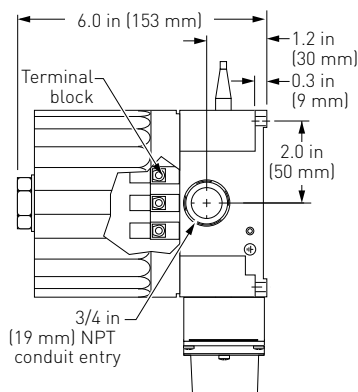
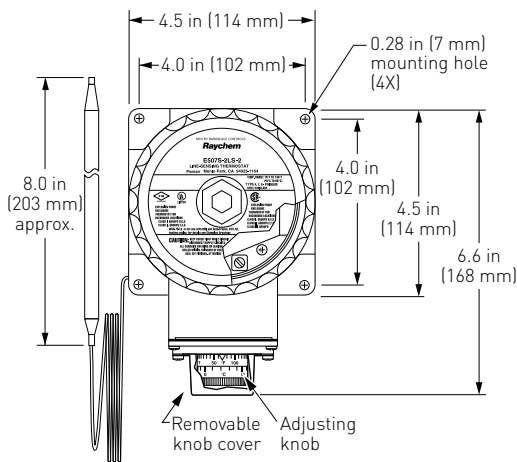
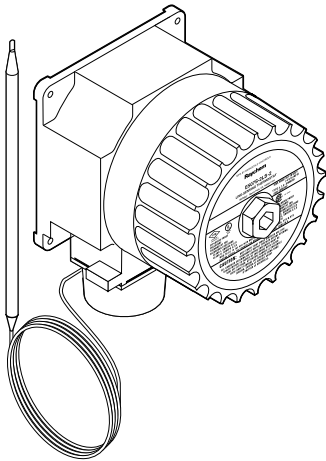


Raychem E507S-2LS-2

DOUBLE-POLE LINE-SENSING THERMOSTAT

For hazardous locations



PRODUCT OVERVIEW

The E507S-2LS-2 thermostat is designed to control heat-tracing systems in hazardous locations. The thermostat functions as a double-pole single-throw (DPST) switch, opening and closing the electrical connection to both heating cable bus wires.

The E507S-2LS-2 senses pipe or tank wall temperatures and is used to control one heat-tracing circuit directly.

SPECIFICATIONS

Enclosure	TYPE 4, 7, 9, lacquer-coated cast-aluminum housing, stainless steel hardware
Entries	One 3/4-in NPT conduit hub
Set point range	25°F to 325°F (-4°C to 163°C)
Sensor exposure limits	-40°F to 420°F (-40°C to 215°C)
Housing exposure limits	-40°F to 140°F (-40°C to 60°C)
Switch	DPST
Electrical rating	22 A at 208 / 240 Vac
Relay coil	208-240 Vac, 4 VA
Accuracy	±6°F (±3.3°C)
Deadband	2°F to 12°F (1.1°C to 6.7°C) above actuation temperature
Set point repeatability	±3°F (±1.7°C)
Sensor type	Fluid-filled (silicone) bulb and 9 ft (2.7 m) capillary
Sensor material	300 series stainless steel
Connection terminals	Screw terminals, 10-14 AWG (2-5 mm ²)

APPROVALS

Hazardous Locations



Class I, Div. 1 and 2, Groups B, C, D
Class II, Div. 1 and 2, Groups E, F, G
Class III



WWW.PENTAIRTHERMAL.COM

NORTH AMERICA

Tel: +1.800.545.6258
Fax: +1.800.527.5703
Tel: +1.650.216.1526
Fax: +1.650.474.7711
thermal.info@pentair.com

EUROPE, MIDDLE EAST, AFRICA

Tel: +32.16.213.511
Fax: +32.16.213.603
thermal.info@pentair.com

ASIA PACIFIC

Tel: +86.21.2412.1688
Fax: +86.21.5426.2937
cn.thermal.info@pentair.com

LATIN AMERICA

Tel: +1.713.868.4800
Fax: +1.713.868.2333
thermal.info@pentair.com

Pentair is owned by Pentair or its global affiliates. All other trademarks are the property of their respective owners. Pentair reserves the right to change specifications without prior notice.

© 2001–2016 Pentair.