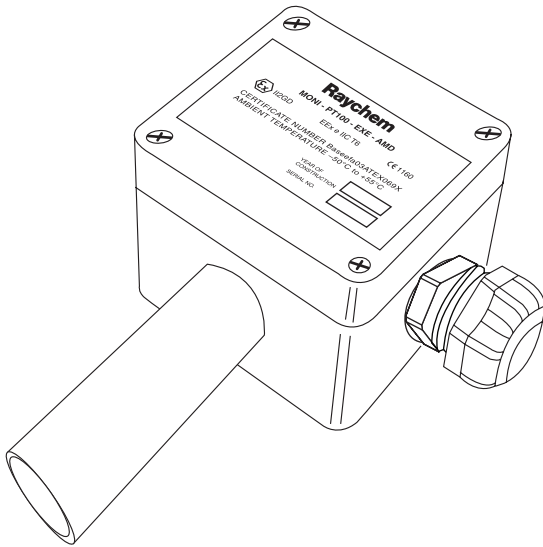


AMBIENT SENSING TEMPERATURE SENSOR FOR HAZARDOUS AREA (PT100)



PRODUCT OVERVIEW



The nVent RAYCHEM MONI-PT100-EXE-AMB 3-wire Pt 100 temperature sensor connected to glass fiber reinforced polyester junction box. The sensor is approved for hazardous area and can be used in safe area.

The protection tube not only mechanically protects the actual temperature sensor it also prevents the sensor from sudden temperature changes caused by direct sunlight and or wind.

GENERAL FEATURES

Area of use Hazardous area Zone 1 or Zone 2 Gas (Zone 21, Zone 22 Dust)

APPROVALS

 II 2GD
 Ex e IIC T6 Ta -50°C TO +60°C Gb
 Ex tb IIIC T185°C Ta -50°C TO +60°C Db IP66
 Baseefa 11ATEX0068X
 IECEx BAS 11.0033X
 TC RU C-BE.M1062.B.02849
 1Ex e IIC T6 Ta -50°C...+55°C
 1Ex tb IIIC T185°C Ta -50°C...+55°C Db IP66

SENSOR

Type Pt 100 (3-Wire) acc. DIN IEC 751, Class B
 Material Sensor: stainless steel (MI) Protection tube: brass
 Temperature measuring range Assembly -50°C to +60°C (Sensor measuring range from -100°C to +500°C)

ENCLOSURE

Material Glass fiber reinforced box (Black) M4 captive stainless steel cover screws.
 Ingress protection IP66
 Dimensions Box: With = 80 mm Height = 75 mm Depth = 55 mm
 Installed: with = ~110 Height = ~200 mm
 Cable entry M20 (Ex e) suitable for cable diameters ranging form 10 mm to 14 mm
 Operating temperature -50°C to +60°C
 Mounting Surface mount via molded holes centered at 68 x 45 mm.
 Any installation position is allowed.

INSTALLATION AND CONNECTION

Terminals 4 front entry cage clamp terminals suitable for cables from 0.5- to 2.5 mm²

ORDERING DETAILS

Part number 1244-004451

Europe, Middle East, Africa

Tel +32.16.213.511
Fax +32.16.213.604
thermal.info@nvent.com

United Kingdom

Tel 0800 969 013
Fax 0800 968 624
salesthermalUK@nvent.com

Ireland

Tel 1800 654 241
Fax 1800 654 240
salesIE@nvent.com



[nVent.com](https://www.nvent.com)

Our powerful portfolio of brands:

CADDY ERICO HOFFMAN RAYCHEM SCHROFF TRACER