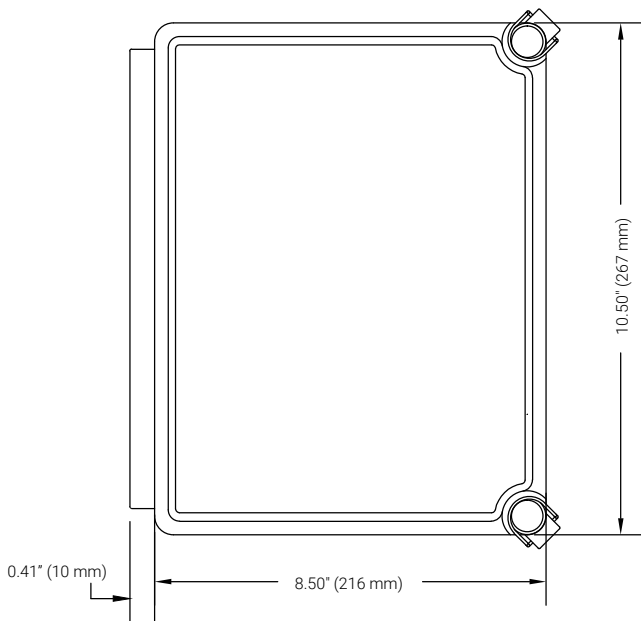


MI POWER AND MARSHALLING BOX JUNCTION BOX WITH PRE-DRILLED EARTHING PLATE FOR USE WITH MI HEATING UNITS



FRONT VIEW

PRODUCT OVERVIEW

The efficient design and simple construction of these enclosures make them durable in corrosive environments, yet aesthetically pleasing

Corner latches provide unobstructed access

The continuous hinge pin provides a secure seal and double latching creates added security

Typical uses include power or marshalling, splice and end box for 3-phase systems

Accommodates up to 7 outgoing heating cables and one incoming power cable

It can also be used as a marshalling box – one incoming power cable and 5 outgoing power cables

Three phase applications include power, splice and end box.

CONSTRUCTION

- Compression molded fibreglass has outstanding chemical and temperature resistance qualities and exhibits excellent weather ability and physical properties
- Light gray finish inside and out. Gasket assures water-tight and dust-tight seal
- Polyester mounting tabs and stainless steel attachment screws are provided with each enclosure
- Two corrosion resistant polyester quick release latches are located in corners to provide unobstructed access to enclosure
- Removable hinged cover attached to body with stainless steel hinge pin
- Hinge pin and bail are corrosion resistant Type 316 stainless steel
- Padlock provisions included in each latch
- Inside dimensions: 10" high x 8" wide x 6" deep (250 x 200 x 150 mm)
- Box includes earthing plate on three sides and back of box and is pre-punched for eleven ½" and eight ¾" hubs
- Entries: Up to 11 x ½" and 8 x ¾" - Use a step bit to drill out or enlarge any holes in fibreglass required for hubs/connectors

APPROVALS

CSA approved Type 4X enclosure and certified electrical assembly

Area classification - Hazardous locations CL I Division 2 (Zone 2), Groups A,B,C,D T5

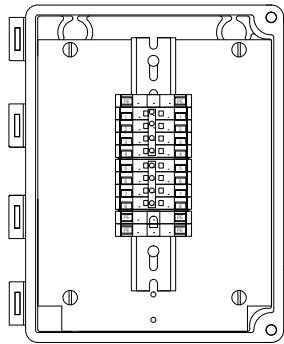
Enclosure type: Type 4X

Ambient temperature rating: -50°C to +40°C

Enclosure flammability evaluated per UL 508A



ELECTRICAL SPECIFICATIONS



Maximum operating voltage 600Vac

Maximum 65A per terminal, rated 18AWG to 6AWG

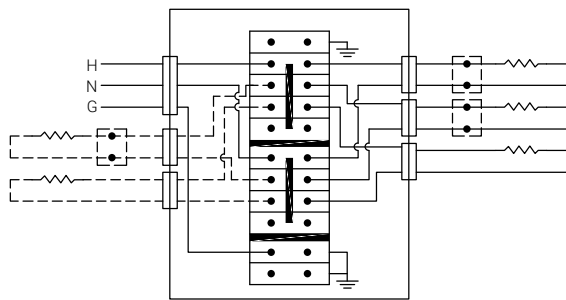
Consider MI cold lead cable gland size, hub size and power cable size in selecting appropriate box

Power cable gland and hubs for MI cold lead glands not included

Order a separate MIJB-LPWR-KIT for #2 or #4AWG power cable to downsize to #6AWG but remain at 65A.

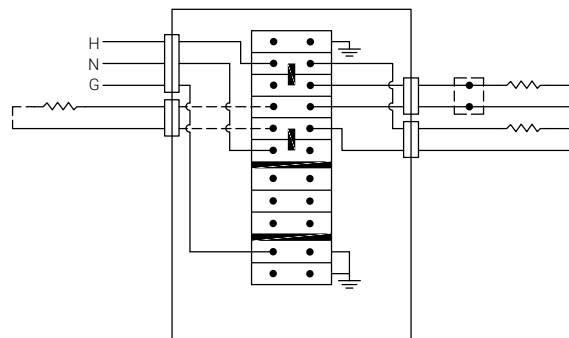
TYPICAL ELECTRICAL CONNECTION OPTIONS (SEE MIJB-1086-A FOR OTHER POSSIBILITIES)

MIJB-1086-B-MARSH



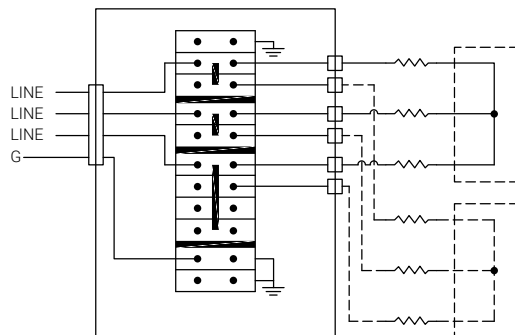
- POWER WIRES TO BE FIELD ROUTED FROM MARSHALLING BOX TO INDIVIDUAL EHT POWER BOXES, (ie MJB-864-A, JBS, etc.)
- THERE ARE SIX GROUND CABLE CONNECTIONS THAT ARE AVAILABLE THAT CAN LIMIT THE NUMBER OF CABLE CONNECTIONS THAT CAN BE MADE IN THIS BOX. MI CABLES DO NOT USE A GROUND CABLE CONNECTION.

MIJB-1086-B-SERPAR



- FOR SERIES-PARALLEL CONFIGURATION
- POWER WIRES TO BE FIELD ROUTED FROM MARSHALLING BOX TO INDIVIDUAL EHT POWER BOXES (ie. MJB-864-A-PWR, JBS, etc) AS REQUIRED.
- FIELD TO CUT 4-POLE JUMPER INTO 2-POLE JUMPER AND INSERT AS SHOWN.
- USE WITH D OR E DESIGN MI CABLE.

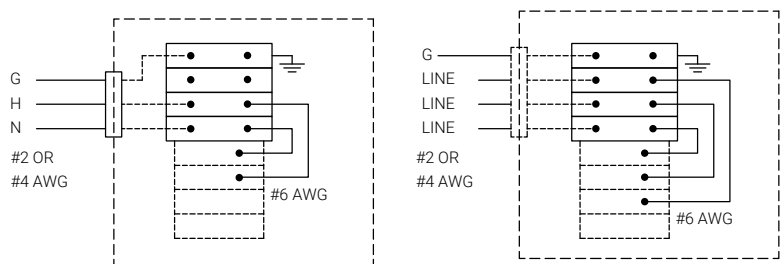
MIJB-1086-B-3PWR



- USE A MJB-864-STAR TO TERMINATE OR MJB-864-A-SPLC TO CONTINUE.
- FIELD TO CUT 4-POLE JUMPER INTO 2-POLE JUMPERS AND INSERT WITH END PLATES (INCLUDED) AS SHOWN.
- USE WITH B DESIGN MI CABLE.

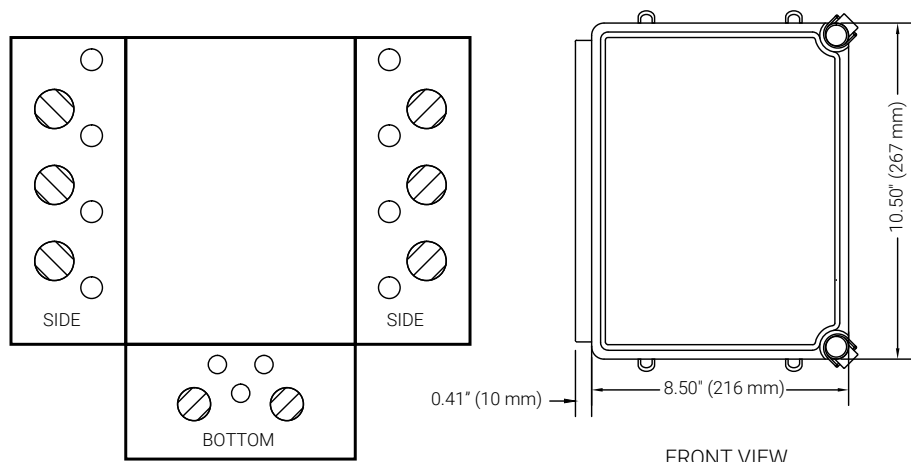
POWER CABLE DOWNSIZING OPTION:

MIJB-LPWR-KIT



- USED TO DOWNSIZE #2 OR #4 AWG POWER CABLES.
- ORDER MIJB-LPWR-KIT SEPARATELY IF REQUIRED.
- CONSISTS OF 3 POWER TERMINAL BLOCKS, 1 GROUND TERMINAL BLOCK, AND #6 AWG JUMPER WIRES.

ENCLOSURE DETAIL



EARTHING PLATE DETAIL

- ⊙ 1-1/8" HOLE FOR 3/4" CONDUIT HUB/CONNECTOR
- 7/8" HOLE FOR 1/2" CONDUIT HUB/CONNECTOR

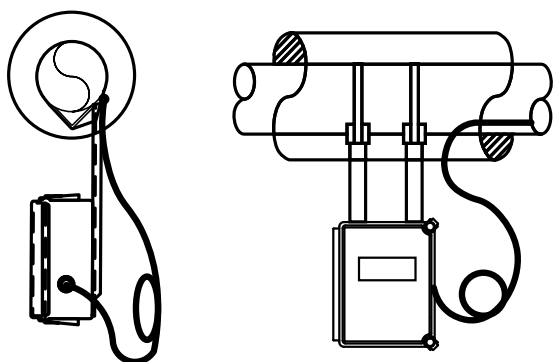
- Junction boxes can be mounted using holes in back and screws provided, or using four mounting tabs supplied
- Hinge can be moved to other side of box by rotating earthing plate 180°
- Earthing plate is fabricated from galvanized steel and is bonded to internal PE terminal block for bonding of hubs and connectors
- No bonding wires are required between the hubs, connectors and PE terminal blocks.

GENERAL

Lamacoids are not included.

Two mounting brackets (MBRP-B) and two pipe straps or alternate mounting method must be ordered separately for installation on pipe.

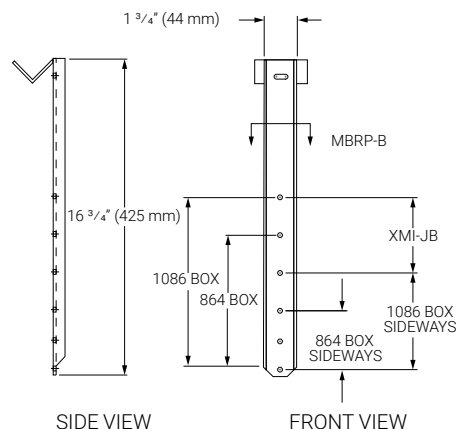
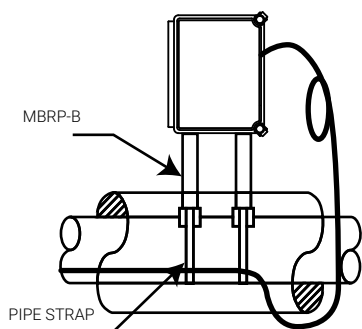
ENCLOSURE MOUNTING BRACKET



BOTTOM MOUNT

MBRP-B Product Overview

- Mounting bracket for MIJB series fiberglass enclosures which enables enclosure installation and connection prior to application of insulation and cladding
- Installation time reduction as electrician does not need to return after cladding is installed
- 304SS Stainless steel pipe support bracket for MIJB-864-A, MIJB-1086-A and nVent RAYCHEM MIJB-1086-B fiberglass enclosures
- Two brackets are required to support each enclosure each bracket requires one pipe strap
- Suitable for pipe temperatures up to 900°F (480°C)
- Stainless steel is a poor conductor of heat so the bracket is not hot or a heat sink



ORDERING DETAILS

Description	Catalog number	Part number	Weight/lbs
Enclosure	MIJB-1086-B	T0002056	8.00lbs
Spare Parts and Accessories			
Mounting Bracket for MIJB series fiberglass enclosures	MBRP-B	T0002003	1.1lbs
Terminal kit for MIJB-1086 model	MIJB-LPWR-KIT	T1005000	0.5lbs

North America

Tel +1.800.545.6258
Fax +1.800.527.5703
thermal.info@nvent.com

Europe, Middle East, Africa

Tel +32.16.213.511
Fax +32.16.213.604
thermal.info@nvent.com

Asia Pacific

Tel +86.21.2412.1688
Fax +86.21.5426.3167
cn.thermal.info@nvent.com

Latin America

Tel +1.713.868.4800
Fax +1.713.868.2333
thermal.info@nvent.com



nVent.com

Our powerful portfolio of brands:

CADDY ERICO HOFFMAN RAYCHEM SCHROFF TRACER